

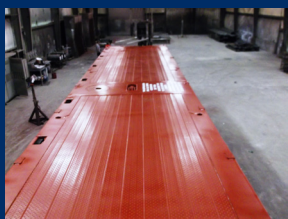
# POSEIDON® P4-9 ISO CONTAINER BARGES



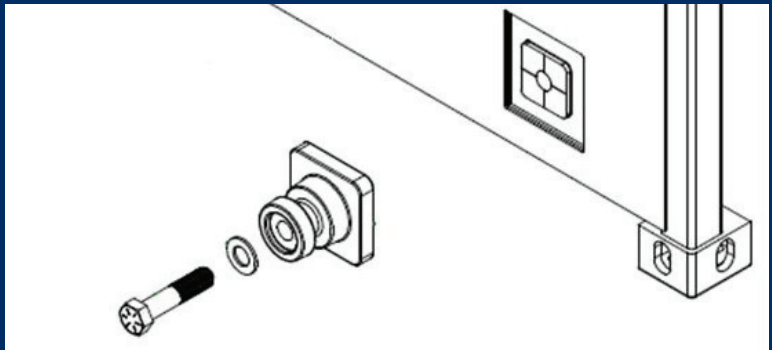
## P4 ISO-40 Section

Length, Overall	40'-7"	12.4 m
Width, Overall	8'-7"	2.62 m
Height, Overall	9'-6"	2.89 m
Shipping Weight, Approx.	36,300 lbs	16,465 kg
Draft, Unloaded	27"	0.69 m
Draft, Full Load	60"	1.52 m
Payload at Full Load	29.2 tons	26.5 mT

**BUILT FOR PURCHASE ONLY  
- BERNE, IN -**



**Standard ISO Shipping Container Corner Bracket**



### Standard Features:

- Baril DCC Paint System including Zinc Rich Primer Coat & Premium Abrasion-Resistant Topcoat
- Flush Mounted, Sacrificial Zinc Anodes provide added Corrosion Protection
- Internal Void Spaces Coated with Biofloat Environmentally Friendly Corrosion Inhibitor
- Patented Heavy Duty Roll Form, HSLA Steel Deck Construction with 20,000 psf Concentrated Load Capacity

### Available Poseidon Accessories:

- Spud Pockets
- Spuds, 24" diameter x 3/4" wall thickness, in a wide range of lengths from 20ft to 80ft
- Double Drum Hydraulic Winch Systems
- Pocket Mounted Winch Systems
- Deck Cleats, Handrail, Safety Ladder



## POSEIDON® BARGE, LTD

725 East Parr Road, Berne, IN 46711

PH: 866-99-BARGE; FAX: 260-589-2088

WEBSITE: [www.poseidonbarge.com](http://www.poseidonbarge.com)

STOCK LOCATIONS: Berne, IN • Plain, WI • Leland, NC  
Cocoa, FL • Coeymans, NY • St. Louis, MO • New Orleans, LA